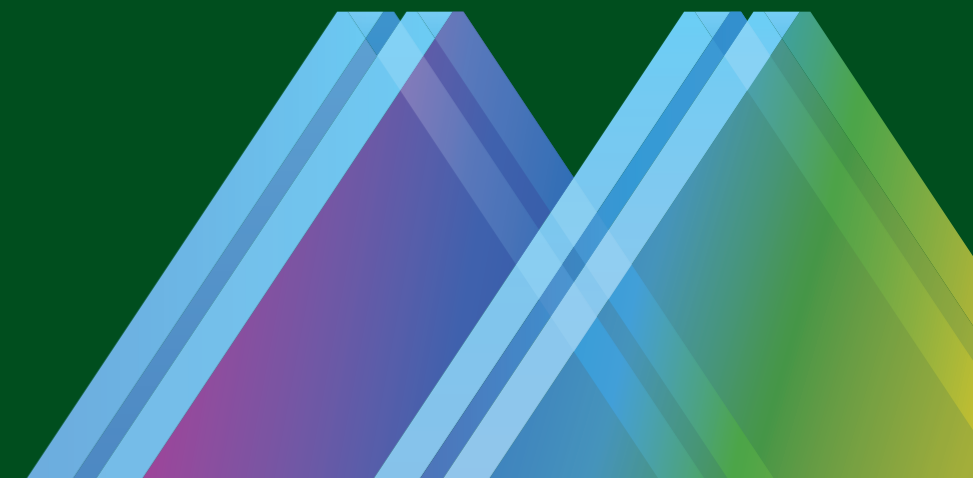




Glass Fixing Standoffs

Metro Frameless Glass manufacture a range of fittings for furniture, cabinets, splashbacks, signs, plaques and counters.





Glass Fixing Standoffs

PRODUCT OVERVIEW	644
GLASS STANDOFF ANCHORS ORDER	646
UNCOVERED COUNTERSUNK BUSHES – GLASS FIXINGS	648
COVERED COUNTERSUNK BUSHES – GLASS FIXINGS	652
STANDARD BUTTON HEADS – GLASS FIXINGS	656
STANDOFF ANCHORS	662

PRODUCT OVERVIEW

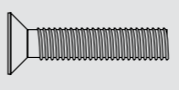

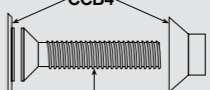
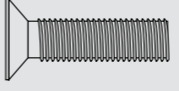

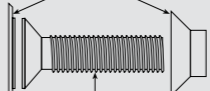
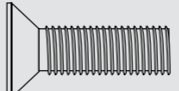

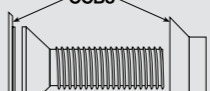


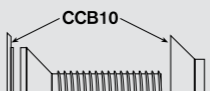
Glass Fixing Standoffs

Frameless glass panels can require the use of standoff fittings. Metro Frameless Glass have a number of options available to suit a diverse range of requirements. Custom length glass standoffs are also possible and can be specified on request.

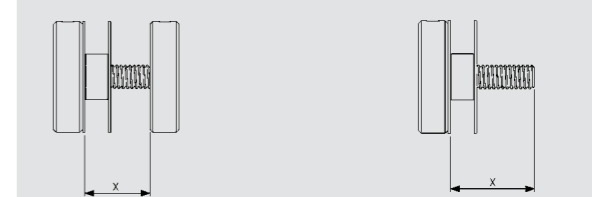
For Frameless Glass Balustrades please refer to the Section Balustrade Systems, Section 1.

Options Available:

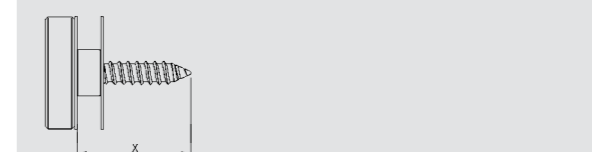
Glass Fixings

Uncovered Countersunk Bushes		Covered Countersunk Bushes	
 M6	 UCB6	 CCB4 M4	
 M8	 UCB8	 CCB6 M6	
 M10	 UCB10	 CCB8 M8	
 M12	 UCB12	 CCB10 M10	

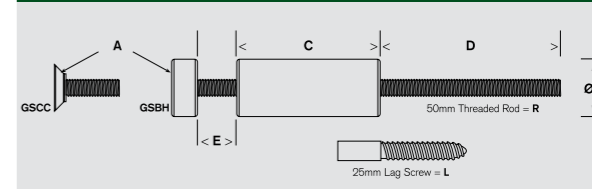
Button Head: DB (Double Button) Button Head: BT (Button & Thread)



Button Head: BL (Button & Lag Screw)



Button Head Standoff Anchors



Scope of Use

- ▶ Designed to secure frameless glass panels
- ▶ Securing the standoff fitting is typically by way of a stainless steel lag screw / threaded rod
- ▶ Crafted from durable stainless steel, these fasteners can be used indoors or outdoors for a range of applications to secure glass to a respective substrate.
- ▶ Ideal for furniture, cabinets, splash backs, signs, plaques and counters.

Support Inquiries

- ▶ Metro Technical phone (09) 927 3000 or email technical@metroglass.co.nz

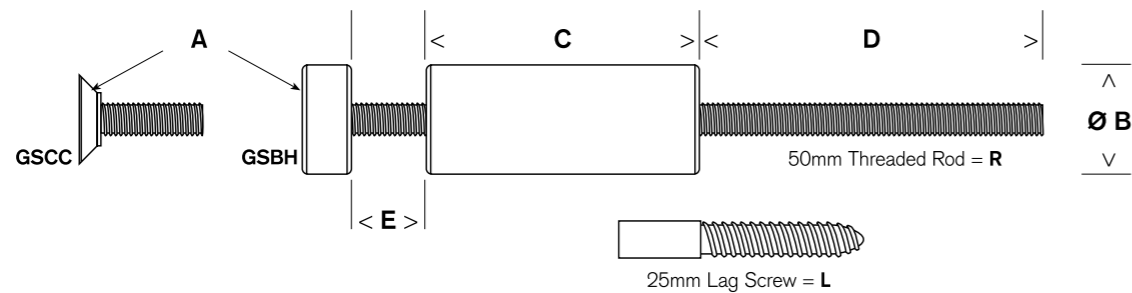
HOW TO ORDER:

Glass Standoff Anchors

Order Request Price Request

Company Name: _____ Order Number: _____

Contact Name: _____ Date: _____



A Head Type	Covered Countersunk Bush Button Head	GSCC GSBH	<input type="text"/>
B Glass Anchor Diameter	Ø19mm, Ø25mm, Ø32mm, Ø38mm - 304SSS, Ø50mm - 316SSS		<input type="text"/>
C Standoff Length	20mm, 25mm, 30mm, 50mm, Special length (specify)		<input type="text"/>
D Fixing Type	Threaded Rod, 50mm long R Lag Screw, Zinc Plated 25mm long L		<input type="text"/>
E Glass Thickness	6mm, 8mm, 10mm, 12mm, 15mm, 19mm, Other (mm)		<input type="text"/>
F Quantity Required			<input type="text"/>

Anchor Diameter	Thread Size	Glass Hole Size For Button Head
Ø19mm and Ø25mm	M6	10mm
Ø32mm and Ø38mm	M8	12mm
Ø50mm	M10	16mm

Note
Before drilling or countersinking glass check catalogue for correct dimensions.

CCB HOLE PREPARATION

Anchor Diameter	Counter Sunk Head Type	Glass Counter Sunk Dimensions
Ø19mm x Ø25mm	CCB6	A=22mm B=10mm
Ø32mm x Ø38mm	CCB8	A=26mm B=14mm
Ø50mm	CCB10	A=30mm B=18mm

